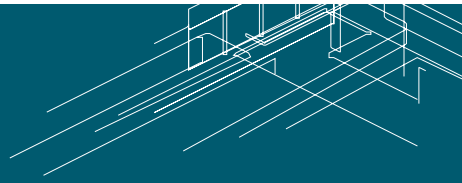
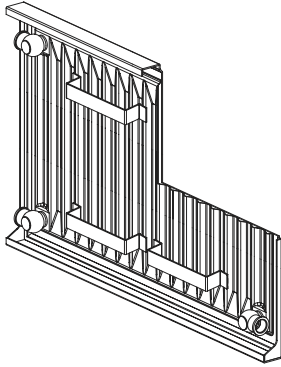


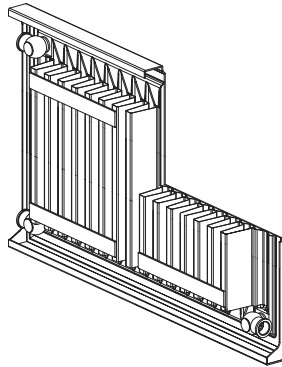
# P5/P5K



## P5 - single

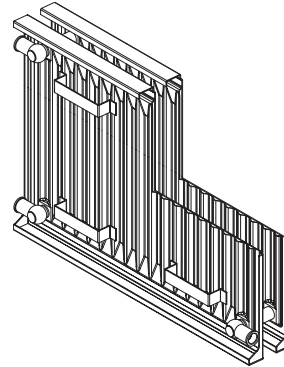


P5 without cutaway to show waterways, rear view

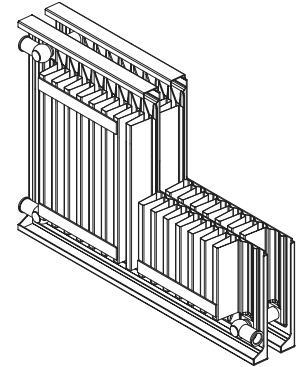


P5K with cutaway to show waterways, rear view

## P5 - double



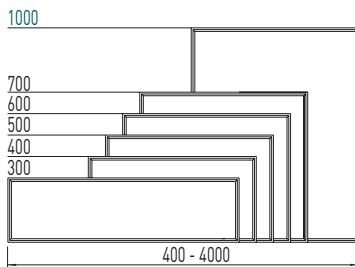
P5-D without cutaway to show waterways, rear view



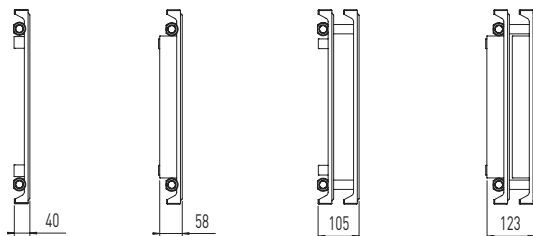
P5K-D with cutaway to show waterways, rear view

## P5 - single and double

Height and length



P5, profile    P5K, profile    P5-D, profile    P5K-D, profile

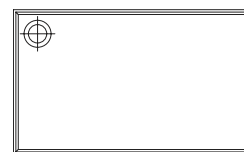


## P5 - single and double with built-in valve

Built-in valve format 1



Built-in valve format 3

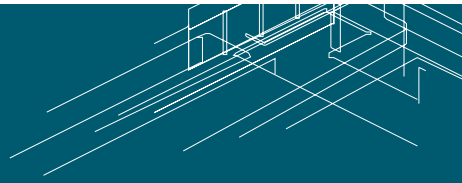


Built-in valve format 1:  
Sensor head through front plate and 1/2" downward facing tappings

Built-in valve format 3:  
Sensor head, side-facing and 1/2" downward facing tapping

<b>Length</b>	P5/P5K and P5-D/P5K-D: 400-4000 mm, with sections in increments of 33.33 mm Radiators above 2500 mm are with open ends
<b>Height</b>	P5/P5K and P5-D/P5K-D: 300, 400, 500, 600, 700 and 1000 mm
<b>Depth</b>	P5: 40 mm, P5K: 58 mm P5-D: 105 mm, P5K-D: 123 mm
<b>Tappings</b>	1/2" standard, adapter for 3/8" and 3/4"

<b>Mounting</b>	Wall or floor mounted Brackets are included Air vent is included
<b>Colour</b>	Powder coated in white RAL 9010 Option: Painted in other standard RAL and BS colours
<b>Options</b>	- Model UR-flex - Angled - Horizon infill and end panel system - Feet



## Output - single

P5 Height mm	Output		Water content litres/ metre	Weight kg/ metre
	W/metre 75°/65°/20°	W/metre 90°/70°/20°		
300	320	405	0.8	9.0
400	420	531	1.0	11.6
500	519	656	1.3	14.2
600	617	779	1.5	16.8
700	714	901	1.7	19.4
1000	1000	1265	2.5	26.7

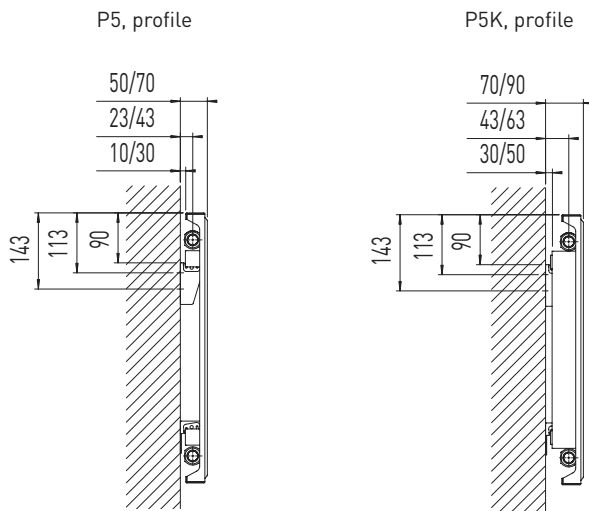
P5K Height mm	Output		Water content litres/ metre	Weight kg/ metre
	W/metre 75°/65°/20°	W/metre 90°/70°/20°		
300	417	526	0.8	11.0
400	553	698	1.0	14.6
500	688	870	1.3	18.3
600	823	1041	1.5	22.0
700	958	1214	1.7	25.6
1000	1359	1728	2.5	36.5

## Output - double

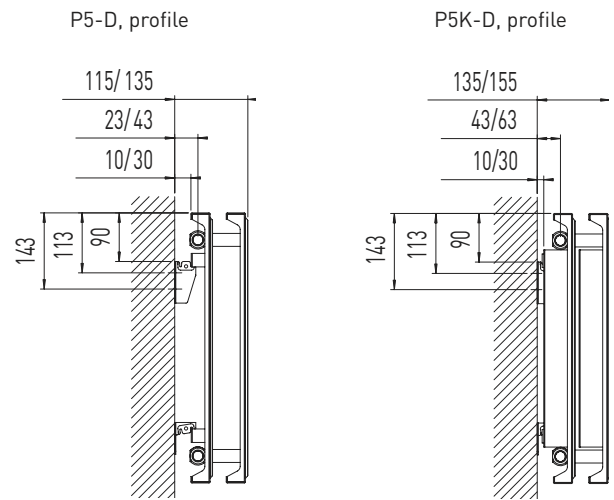
P5-D Height mm	Output		Water content litres/ metre	Weight kg/ metre
	W/metre 75/65-20	W/metre 90/70-20		
300	545	691	1.7	18.0
400	713	903	2.1	23.2
500	877	1111	2.5	28.4
600	1039	1317	2.9	33.6
700	1200	1521	3.4	38.7
1000	1673	2124	4.9	53.3

P5K-D Height mm	Output		Water content litres/ metre	Weight kg/ metre
	W/metre 75/65-20	W/metre 90/70-20		
300	775	994	1.7	22.0
400	1005	1288	2.1	29.2
500	1230	1576	2.5	36.6
600	1450	1858	2.9	44.0
700	1668	2133	3.4	51.2
1000	2302	2939	4.9	73.0

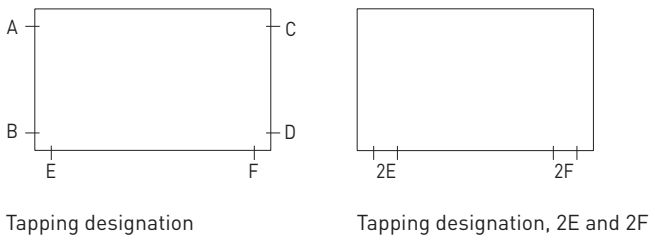
## Build-in dimensions - single



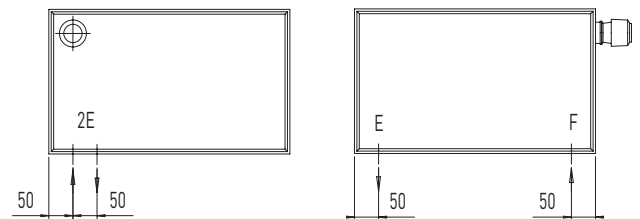
## Build-in dimensions - double



## Tapping designation - single and double



## Tapping designation - single and double with built-in valve



Built-in valve format 1 and 3 can be delivered as follows:

- Downward facing tappings, 2E (left) or 2F (right)
- Downward facing tappings, EF
- Other options, please contact Hudevad